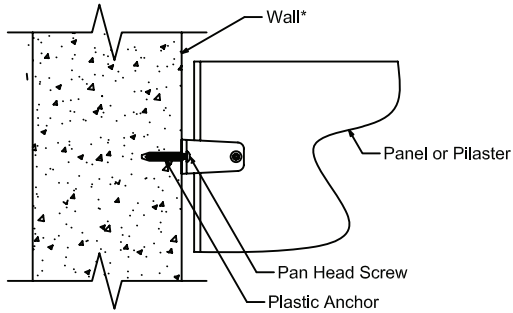
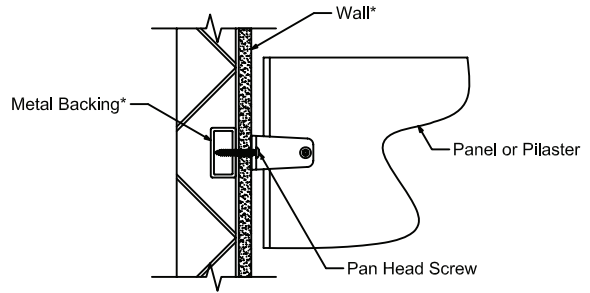


## Recommended Methods for Attaching to a Wall

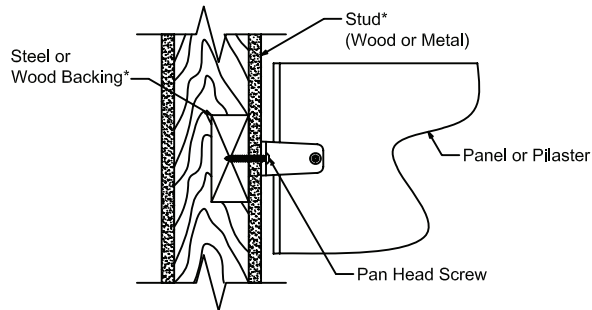
The details below demonstrate the recommended methods for attaching panels and pilasters to common wall types. Other wall types may be encountered. In all cases, proper wall backing is required to achieve a successful toilet partition installation.



**Masonry Wall**

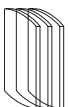


**Sheet Metal Wall**



**Stud Wall**

\*Not Supplied by Hadrian



**Hadrian Manufacturing Inc.**, 965 Syscon Road, Burlington, ON, Canada, L7L 5S3

• Tel: (905) 333-0300

• Fax: (905) 333-1841

**Hadrian Inc.**,

7420 Clover Avenue, Mentor, OH, U.S.A., 44060

• Tel: (440) 942-9118

• Fax: (440) 942-9618

[www.hadrian-inc.com](http://www.hadrian-inc.com)