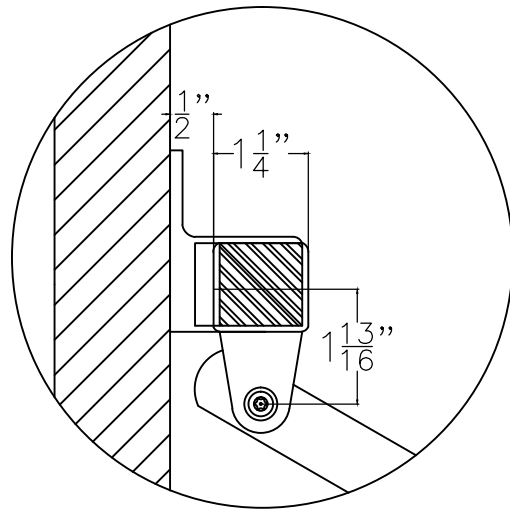


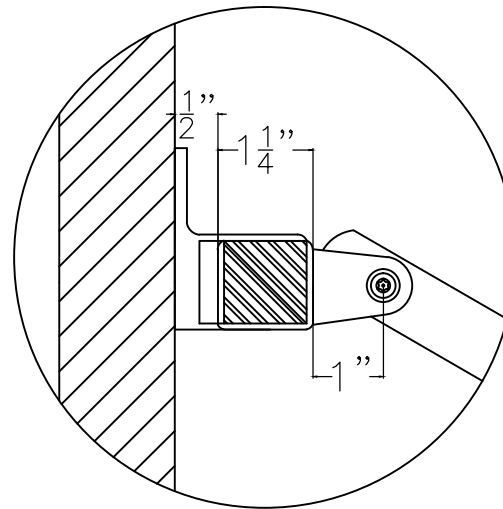
## FRONT/REAR MOUNT



DETAIL "A"

SHOWS DOOR HINGED PERPENDICULAR TO POST. THIS WILL ALLOW A MINIMUM CLEARANCE OF  $\frac{1}{8}$ " FROM THE WALL TO DOOR.

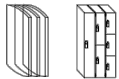
## INLINE MOUNT



DETAIL "B"

SHOWS DOOR HINGED PARALLEL TO POST. THIS WILL ALLOW A MINIMUM CLEARANCE OF 2" FROM THE WALL TO DOOR.

1 1/4" SQUARE POST (581157-XXX)  
KIT 600460. DOOR WILL REQUIRE A  
SQUARE EDGE DOOR KIT (601001).



**hadrian**<sup>®</sup>

www.hadrian-inc.com

**Drawing Title:** 1 1/4" POST INSTALLATION

**Drawn By:** T. HOGAN

**Date Printed:** 02-13-2012